



Cooking, as it should be.

Devapo BV

Stikker 28 | 5721 VD Asten | NL

+31(0)88 088 4600

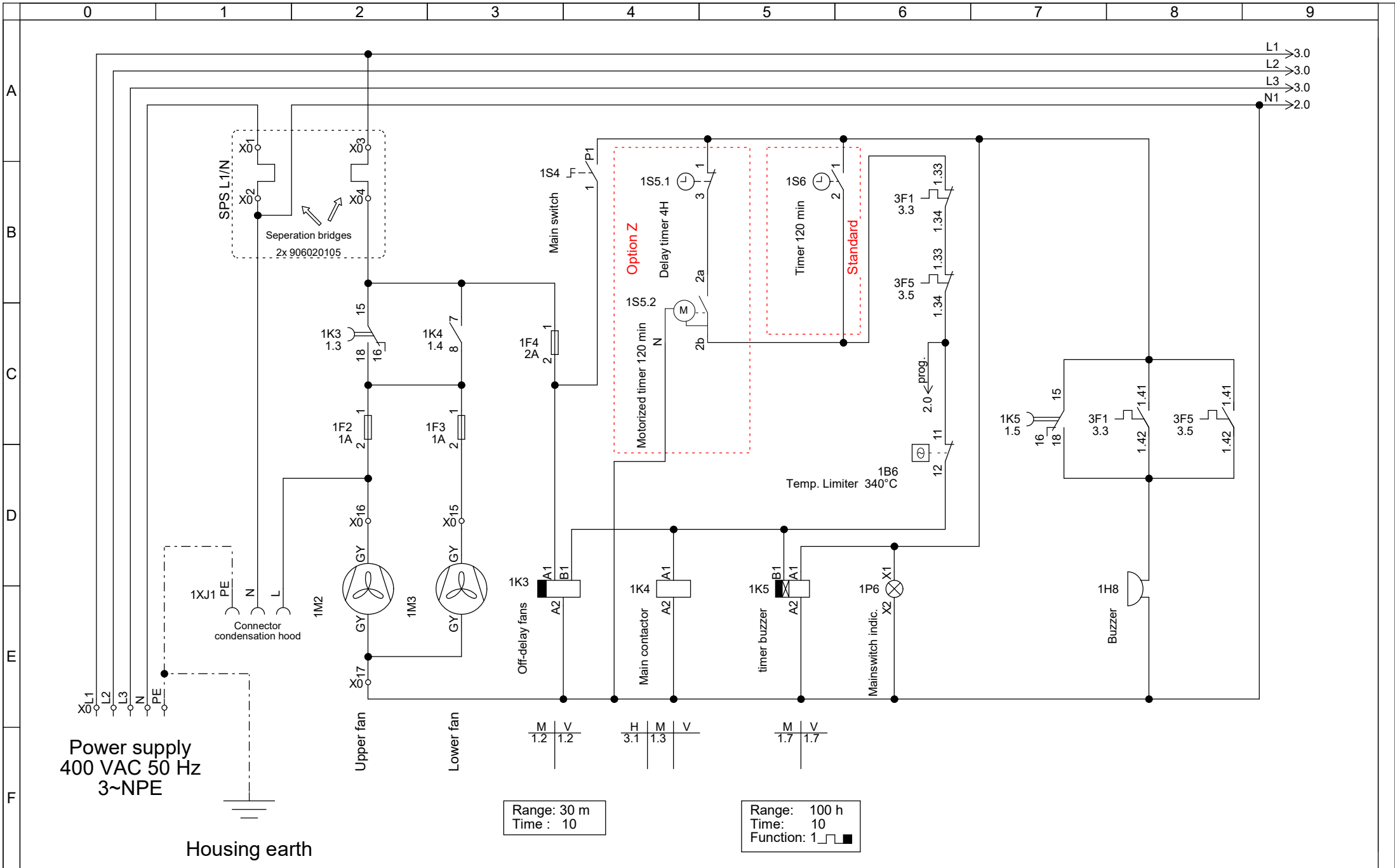
info@devapo.nl

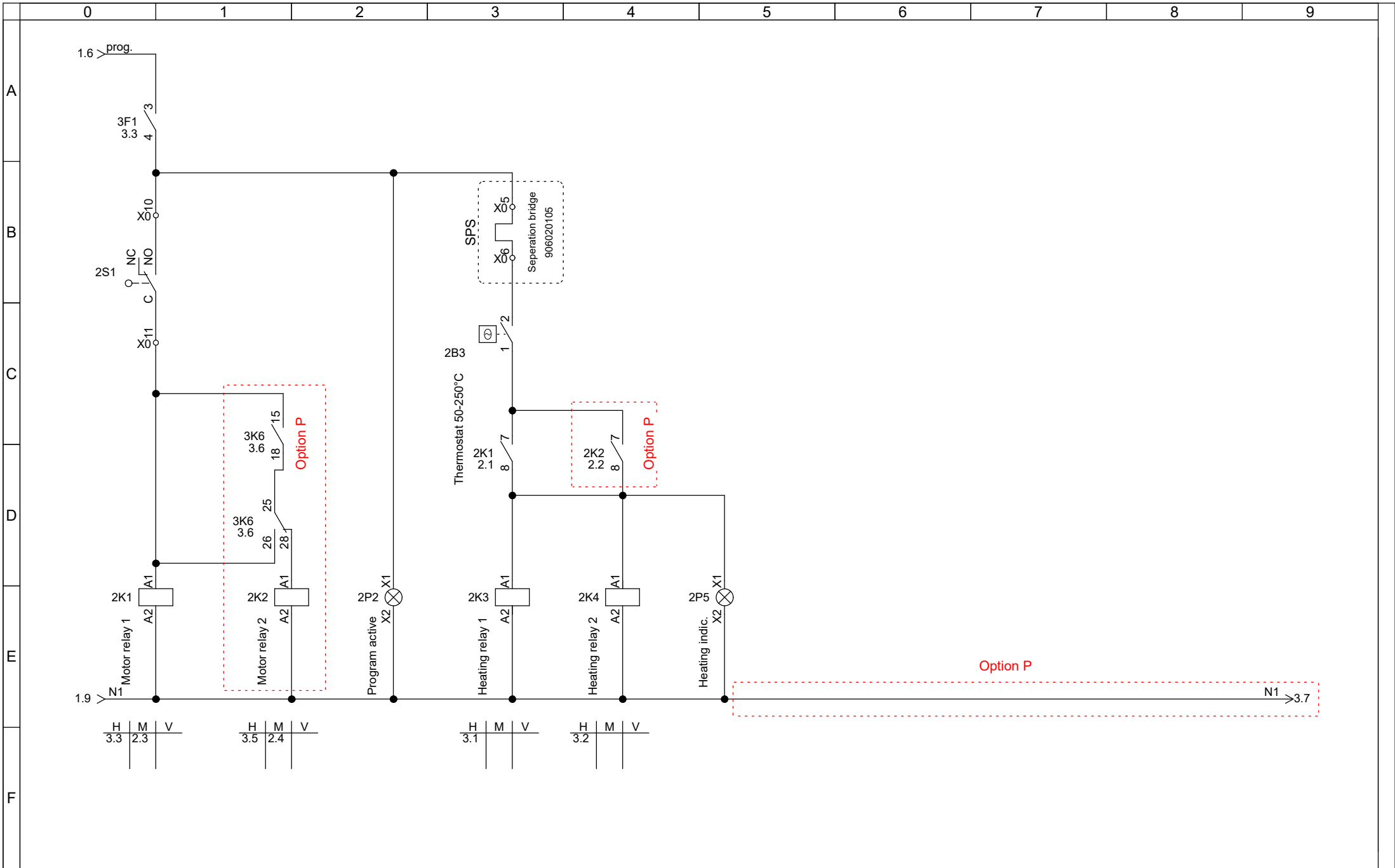
www.devapo.nl

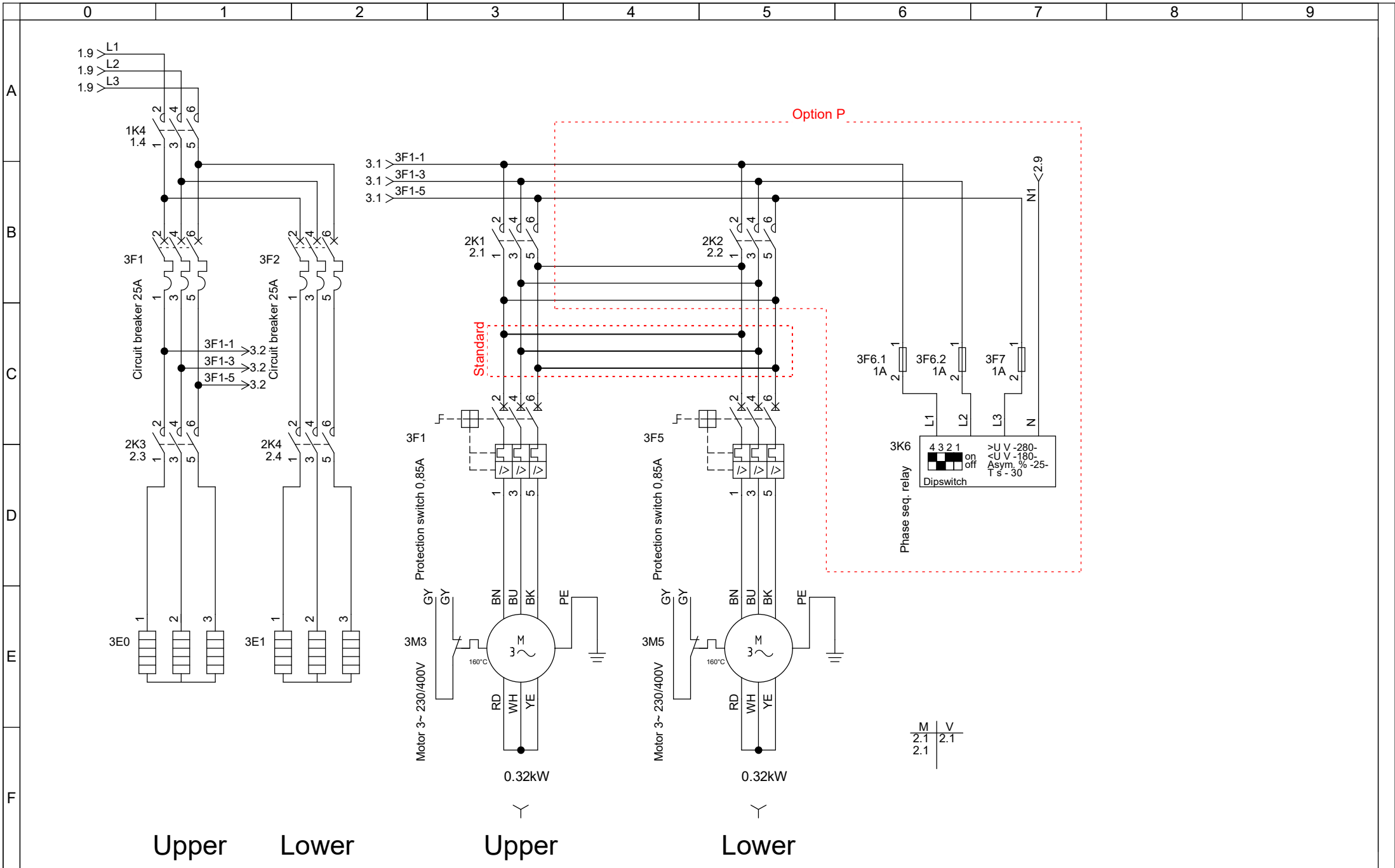
hotAir Maxi 108

Drawing nr.	001-E000-07-00
Article nr.	680300048
Frequency	50 Hz
Voltage	3NPE 400VAC
Power consump.	39A - 27,7 kW
Options	E-P
Revision	00

**The new standard
in food processing.**







List of components

Component	Page	Cell	Description	Article nr.
1B6	1	6	Temp. Limiter 340°C	115001029
1F2	1	2	1A	Fuseholder: 906020044 Fuse: 912000003
1F3	1	3	1A	Fuseholder: 906020044 Fuse: 912000003
1F4	1	3	2A	Fuseholder: 906020044 Fuse: 912000004
1H8	1	8	Buzzer	670000257
1K3	1	3	Off-delay fans	915300017
1K4	1	4	Main contactor	915300012
1K5	1	5	timer buzzer	915300008
1M2	1	2	Cooling fan	670000061
1M3	1	3	Cooling fan	670000061
1P6	1	6	Mainswitch indic.	670000085
1S4	1	4	Main switch	699000220
1S5.1	1	5	Delay timer 4H	115001010 (only for AP version)
1S5.2	1	5	Motorized timer 120 min	115001011 (only for AP version)
1S6	1	6	Timer 120 min	115001004
1XJ1	1	1	Connector condensation hood	Connector housing: 911100070 - Protective cover: 911100072
2B3	2	3	Thermostat 50-250°C	115001021
2K1	2	1	Motor relay 1	915300011
2K2	2	2	Motor relay 2	915300011
2K3	2	3	Heating relay 1	915300011
2K4	2	4	Heating relay 2	915300011
2P2	2	2	Program active	670000085
2P5	2	5	Heating indic.	670000085
2S1	2	1	Door contact	690003870
3E0	3	0	Heating element	Mx 54/108 = 115007035
3E1	3	1	Heating element	Mx 54/108 = 115007035
3F1	3	1	Circuit breaker 25A	CB 25A: 915300014 AUX contact: 915300015
3F2	3	2	Circuit breaker 25A	CB 25A: 915300014 AUX contact: 915300015
3F3	3	3	Protection switch - Hanning 0,85A MF motor 1A	915300016 aux. contact: 915300013
3F5	3	5	Protection switch - Hanning 0,85A MF motor 1A	915300016 aux. contact: 915300013
3F6.1	3	6	1A	Fuseholder: 906020044 Fuse: 912000003

